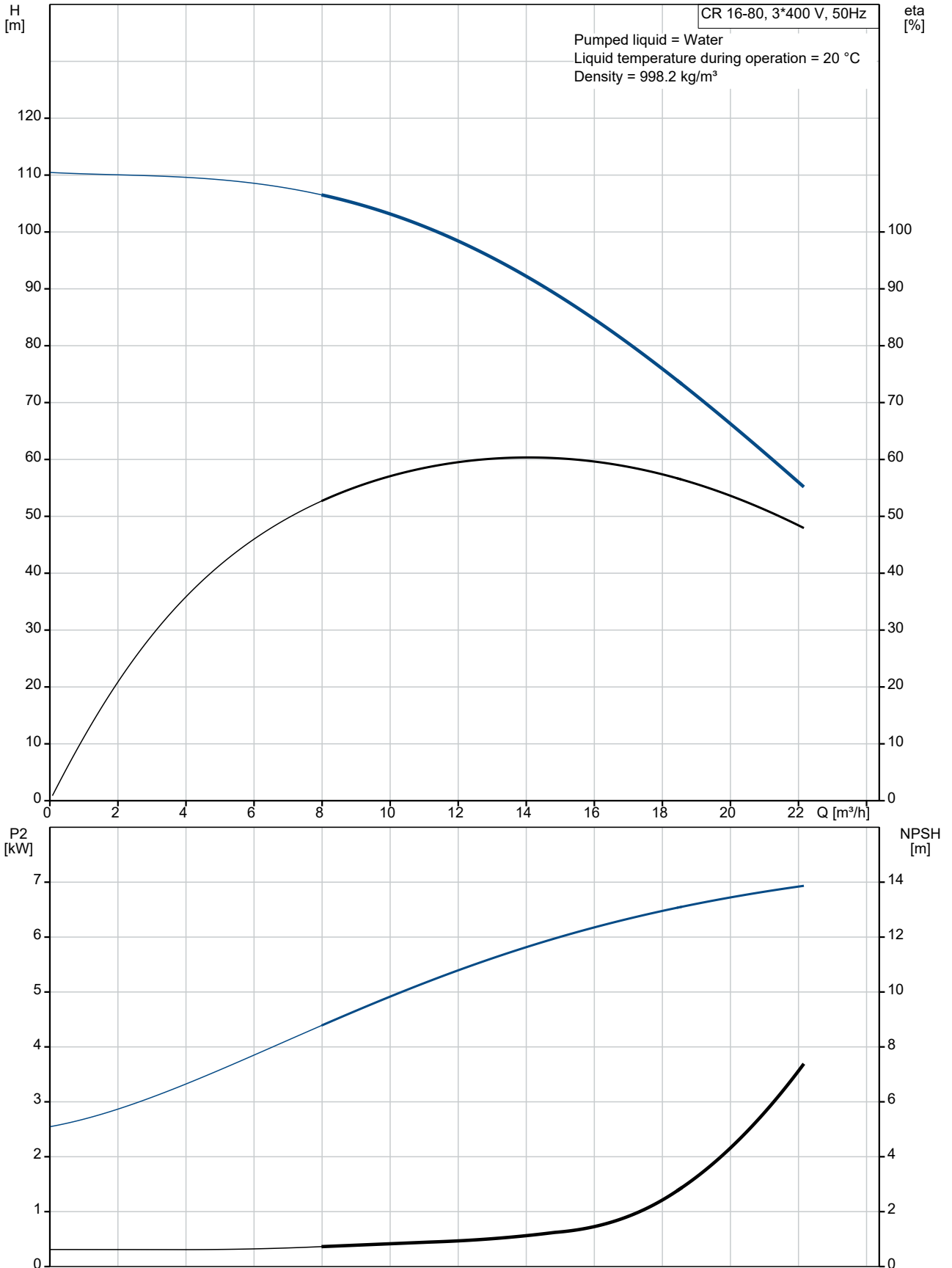
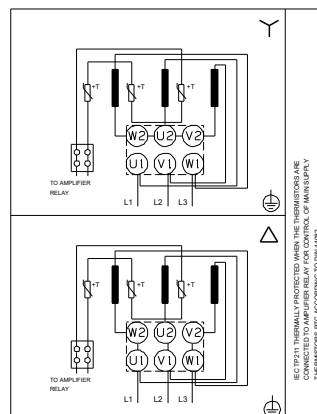
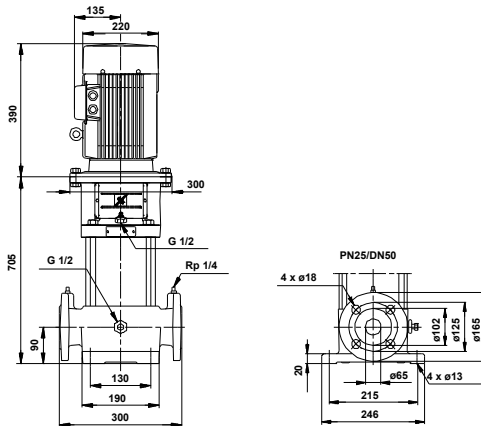
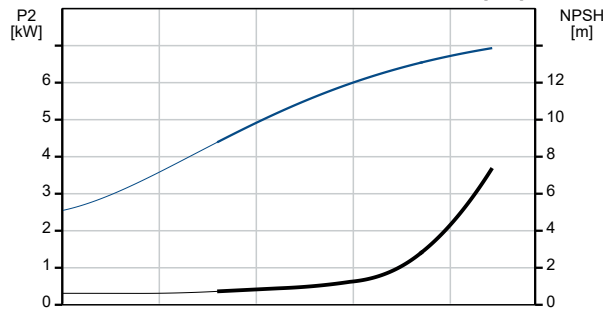
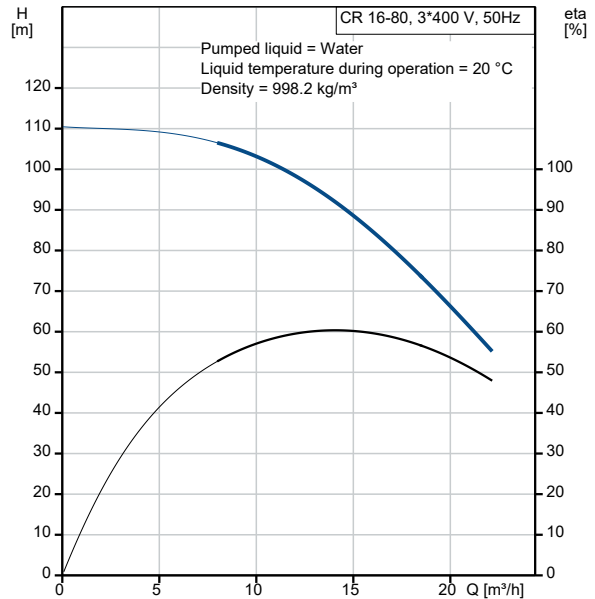


33507108 CR 16-80 A-F-A-BUBE 50 Hz

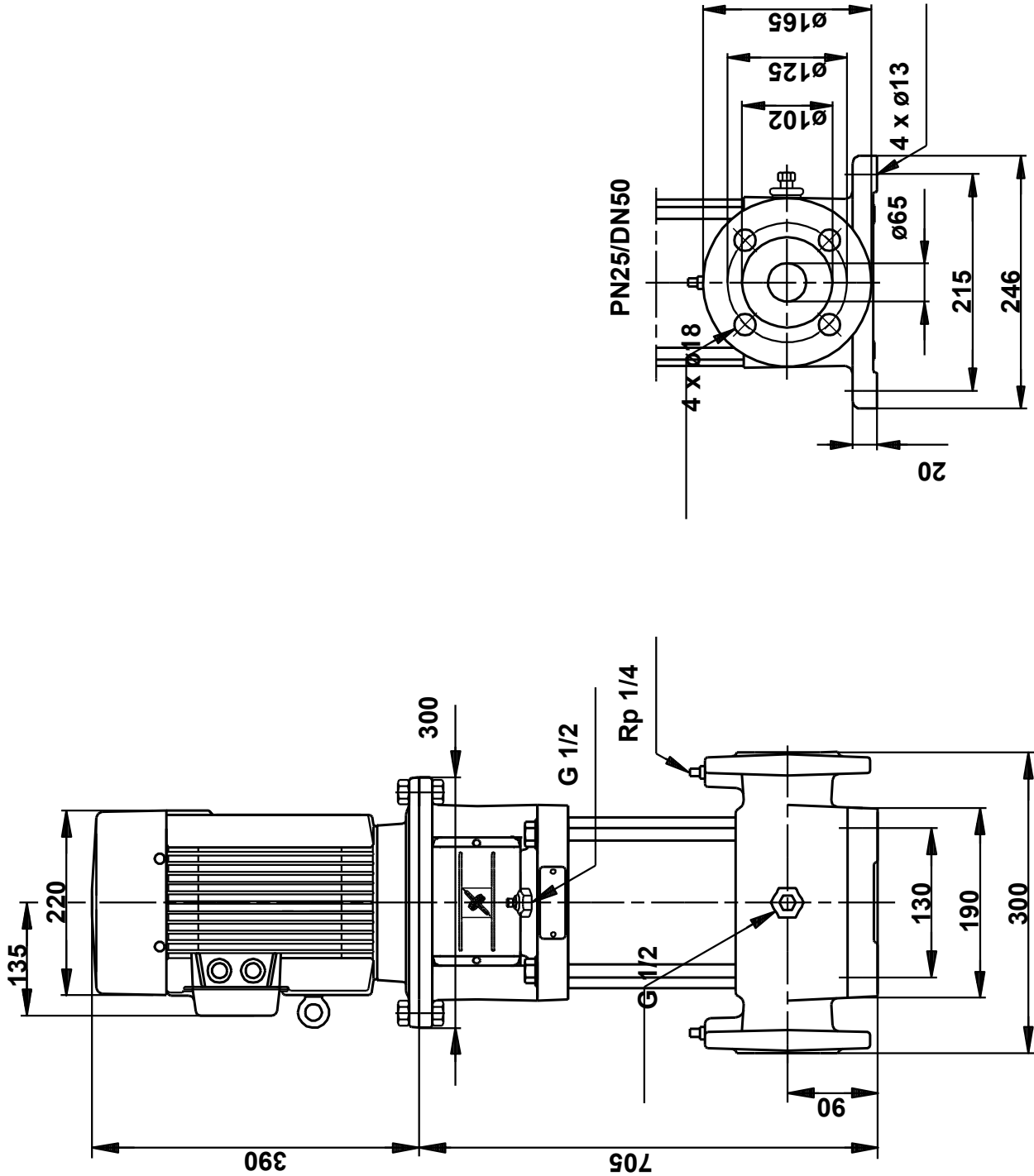


Description	Value
General information:	
Product name:	CR 16-80 A-F-A-BUBE
Product No:	33507108
EAN number:	5700390433406
Technical:	
Pump speed on which pump data are based:	2900 rpm
Rated flow:	16 m ³ /h
Rated head:	94.3 m
Stages:	8
Impellers:	8
Low NPSH:	N
Code for shaft seal:	BUBE
Pump No:	33500008
Pump version:	A
Model:	B
Materials:	
Base:	Cast iron
Base:	EN-JL1030
Base:	25 B
Impeller:	Stainless steel
Impeller:	EN 1.4301
Impeller:	AISI 304
Material code:	A
Installation:	
t max amb:	40 °C
Max pressure at stated temp:	16 bar / 120 °C
Type of connection:	DIN
Size of inlet connection:	DN 50
Pressure rating for connection:	PN 16 / PN 25
Flange size for motor:	F265
Connect code:	F
Liquid:	
Pumped liquid:	Water
Liquid temperature range:	-15 .. 120 °C
Selected liquid temperature:	20 °C
Density:	998.2 kg/m ³
Electrical data:	
Motor type:	132SC
Rated power - P2:	7.5 kW
Mains frequency:	50 Hz
Rated voltage:	3 x 220-240 D/380-415 V
Rated current:	26.5/15.2 A
Starting current:	910-990 %
Cos phi - power factor:	0.87-0.81
Rated speed:	2890-2910 rpm
Motor efficiency at 3/4 load:	90.5-89 %
Motor efficiency at 1/2 load:	90-87.5 %
Number of poles:	2
Enclosure class (IEC 34-5):	IP55
Insulation class (IEC 85):	F
Built-in motor protection:	PTC
Motor No:	85807422
Others:	
Net weight:	103 kg
Gross weight:	129 kg
Shipping volume:	0.2 m ³



IEC 60747-11 THERMAL PROTECTED MOTOR THE THERMAL RELAY IS CONNECTED TO AMPLIFIER RELAY FOR CONTROL OF MOTOR SUPPLY. THERMAL PROTECTIVE PTC ACCORDING TO DIN 44082.

33507108 CR 16-80 A-F-A-BUBE 50 Hz



Note! All units are in [mm] unless others are stated.
Disclaimer: This simplified dimensional drawing does not show all details.